
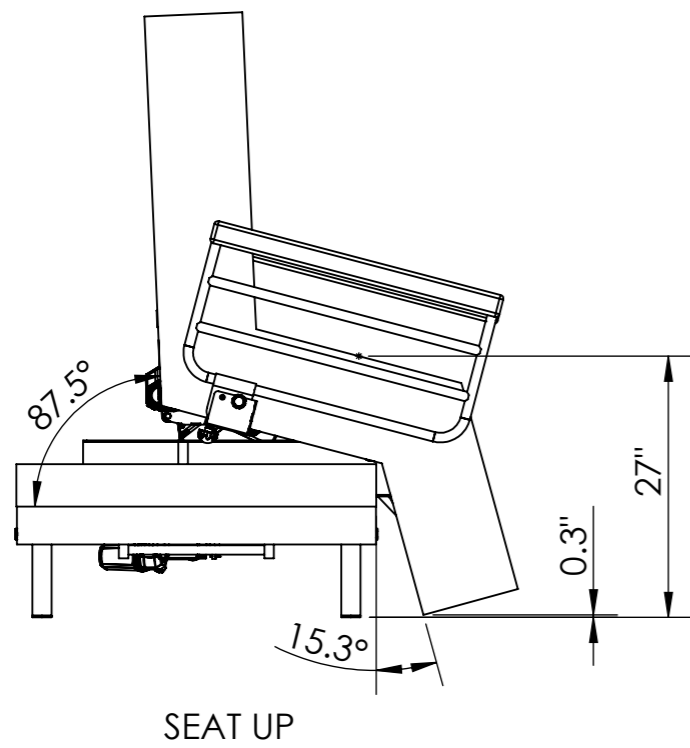
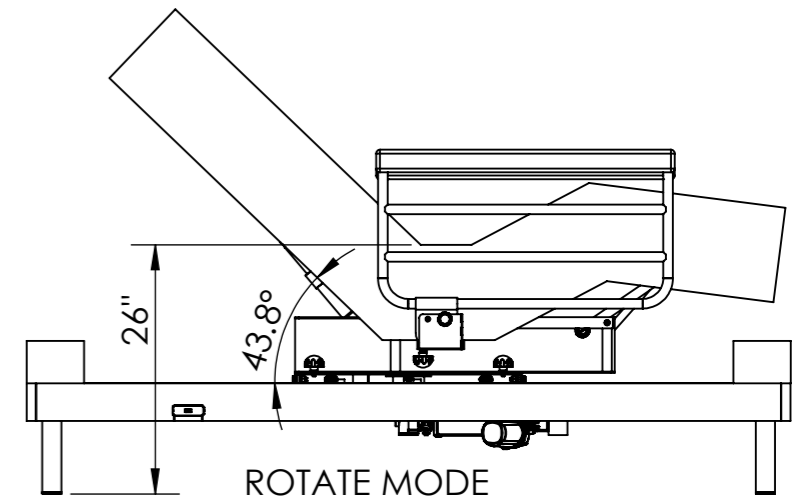
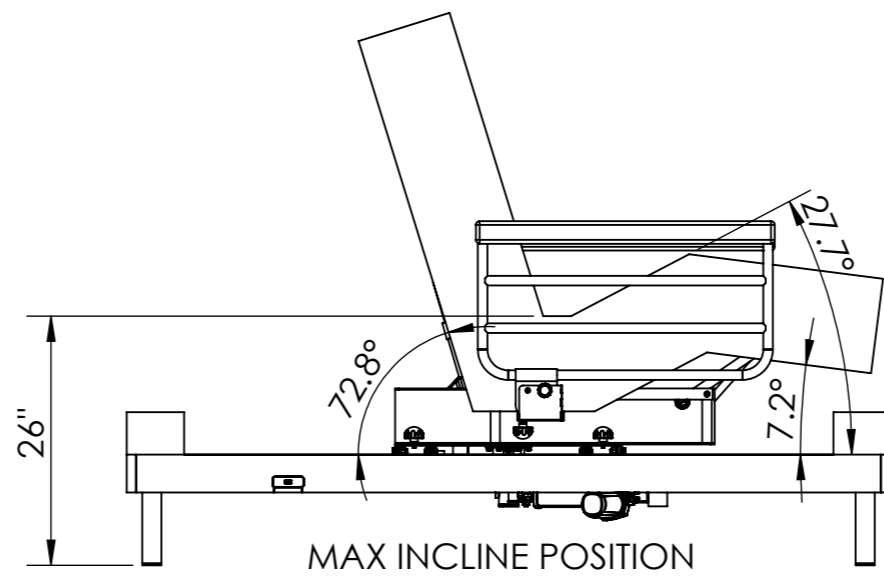
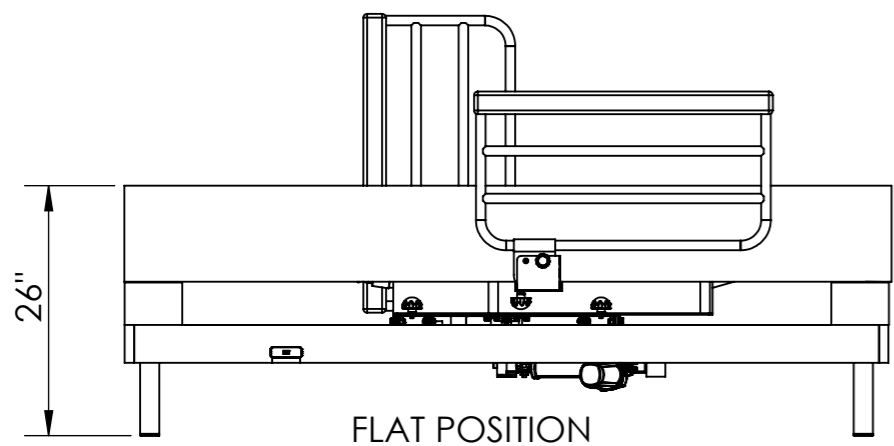
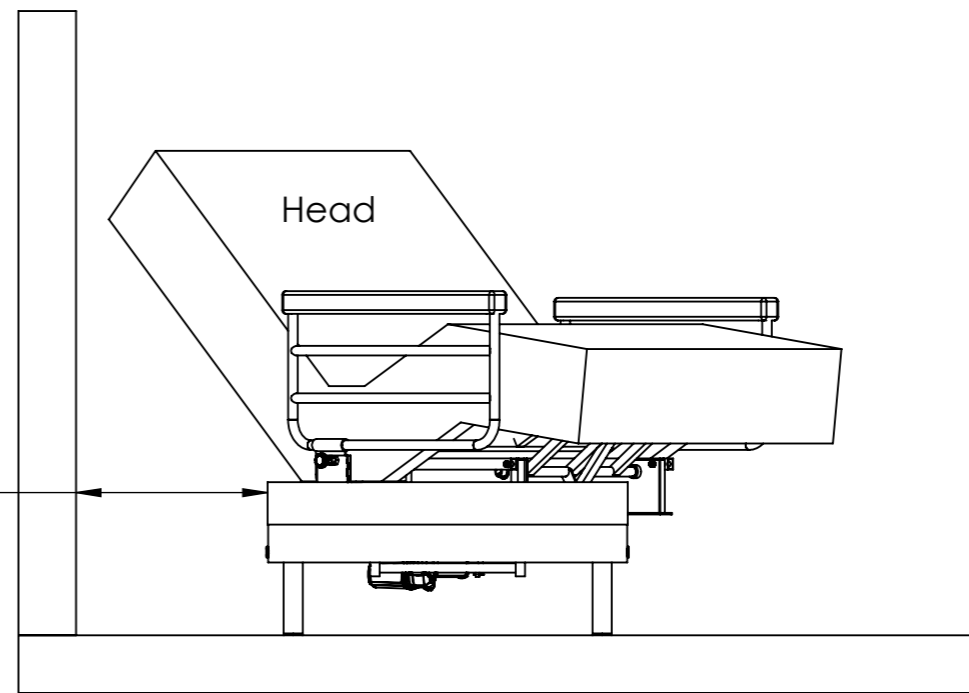



UNLESS OTHERWISE SPECIFIED: DIMENSIONS ARE IN MILLIMETERS SURFACE FINISH: TOLERANCES: LINEAR: ANGULAR:				FINISH:		DEBURR AND BREAK SHARP EDGES		DO NOT SCALE DRAWING		REVISION 001	
											
								TITLE: INDEPENDENCE BED-TXL			
				DRAWN E. NAPALA		SIGNATURE		DATE 25NOV22		DWG NO. INDETXL-0001	
				CHK'D						A3	
				APPV'D							
				MFG							
				Q.A				MATERIAL:		SCALE:1:20	
								WEIGHT:		SHEET 1 OF 2	



Recommend Wall to Bed Distance at Head: 20"



POSITION	MOTOR STROKES (in mm)			
	HEAD (315-395-435)	FOOT (315-377-425)	ROTATE (315-435)	SEAT (260-320)
FLAT	315	377	315	260
MAX INCLINE	435	425	315	260
ROTATE MODE	395	425	315-435	260
SEAT UP	435	425	435	320

UNLESS OTHERWISE SPECIFIED: DIMENSIONS ARE IN MILLIMETERS		FINISH:		DEBURR AND BREAK SHARP EDGES		DO NOT SCALE DRAWING		REVISION 001	
SURFACE FINISH:									
TOLERANCES:									
LINEAR:						TITLE: INDEPENDENCE BED-TXL			
ANGULAR:						DWG NO. INDETXL-0002			
NAME	SIGNATURE	DATE							A3
DRAWN E. NAPALA		25NOV22							
CHK'D									
APPV'D									
MFG									
Q.A					MATERIAL:				
						WEIGHT:			
						SCALE:1:20		SHEET 2 OF 2	